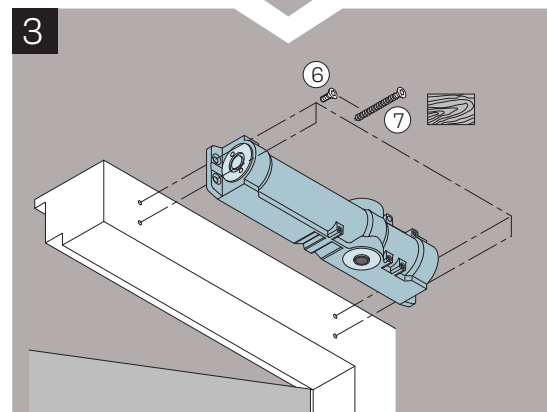
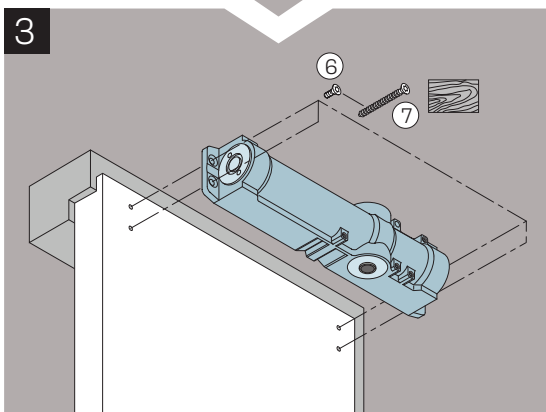
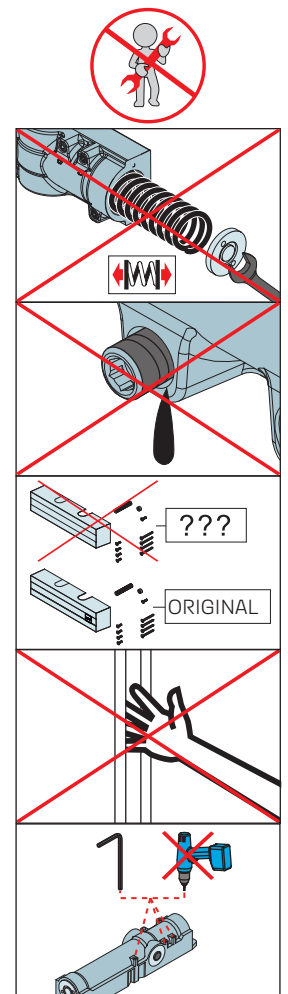
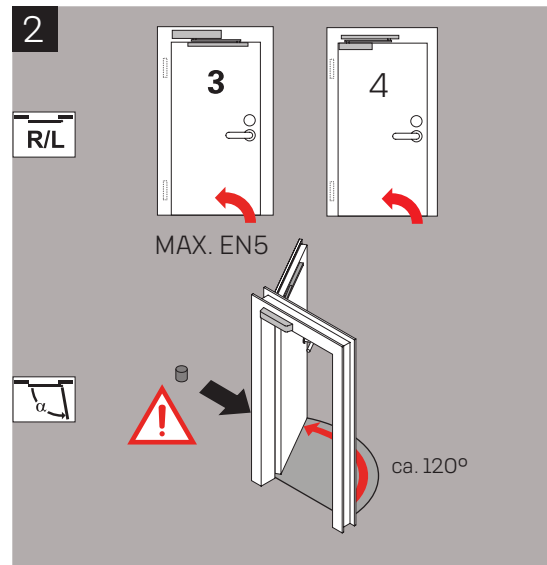
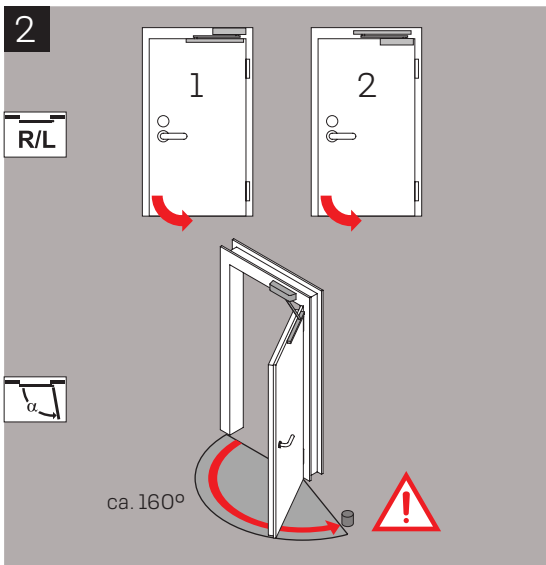
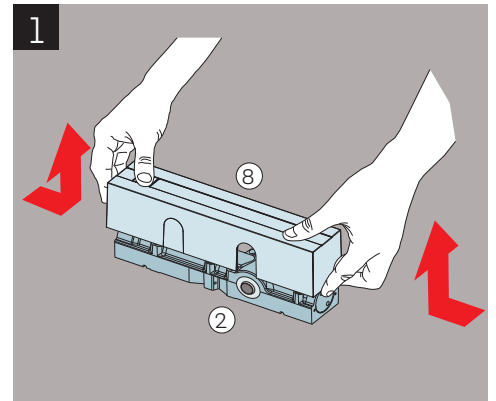
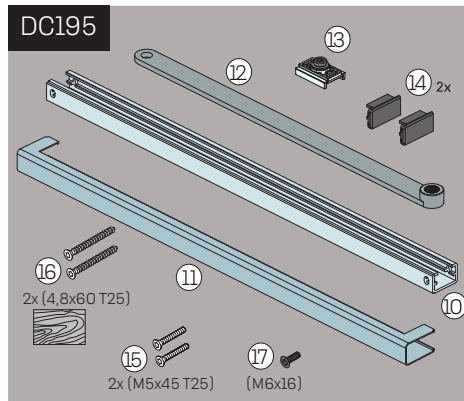
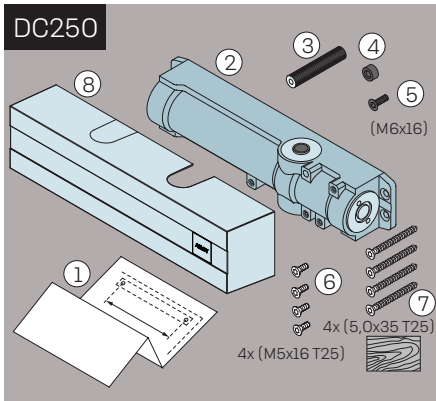


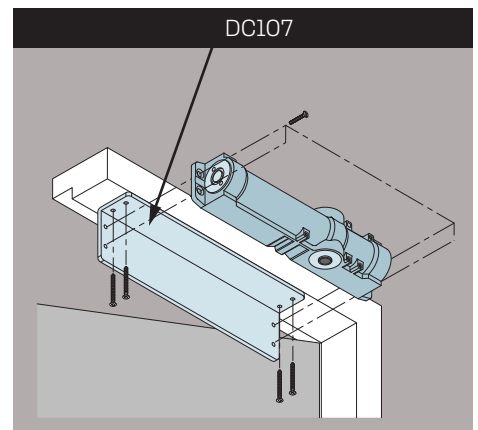
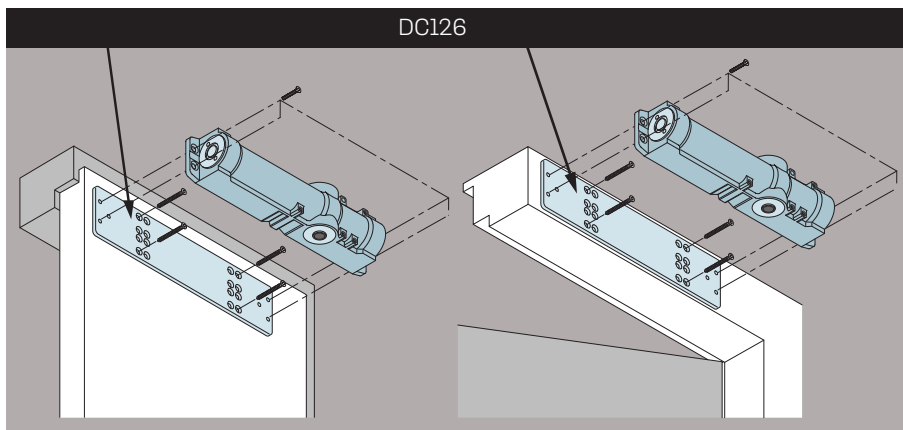
# DC250

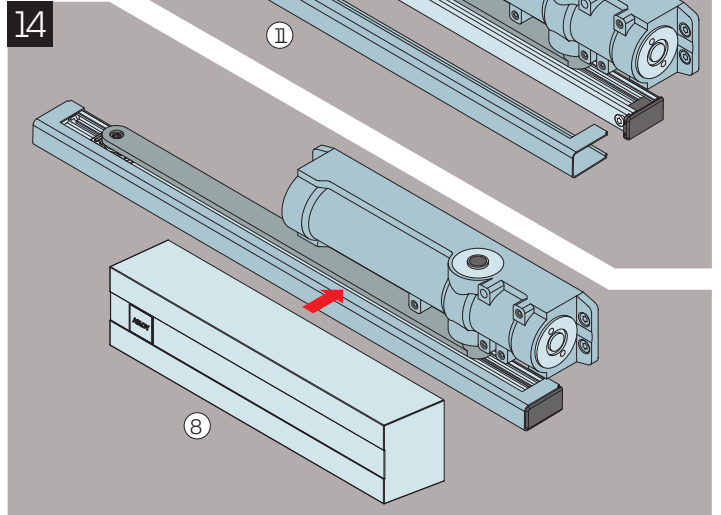
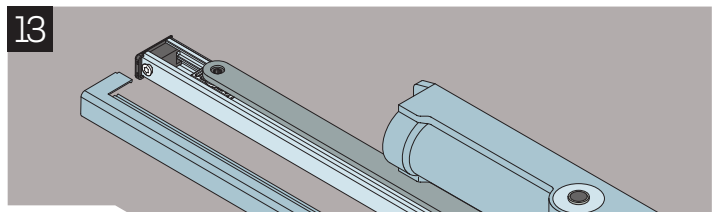
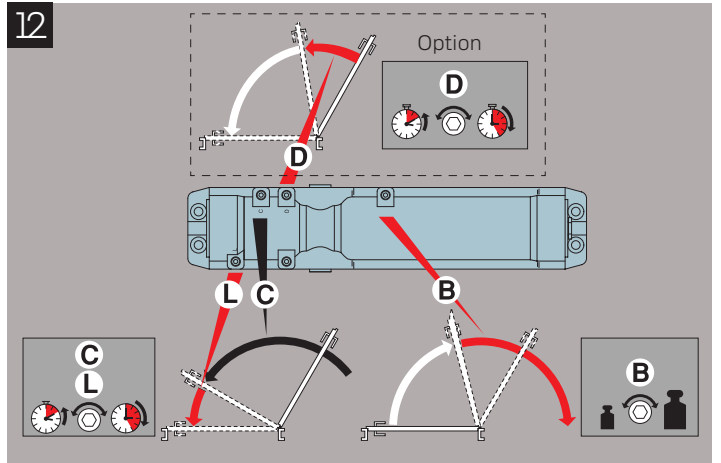
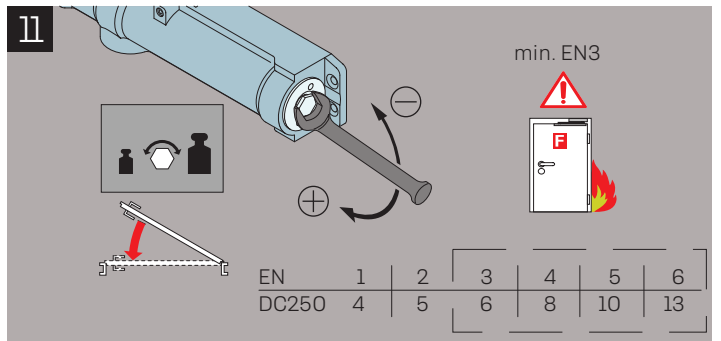
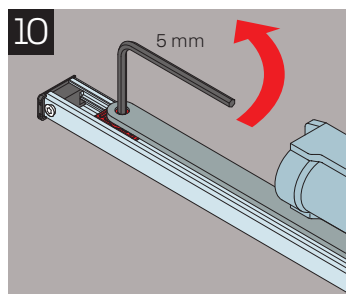
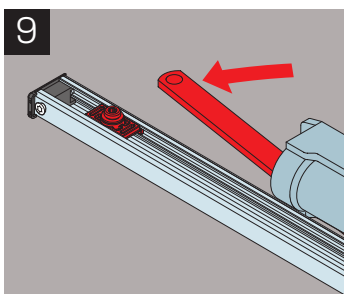
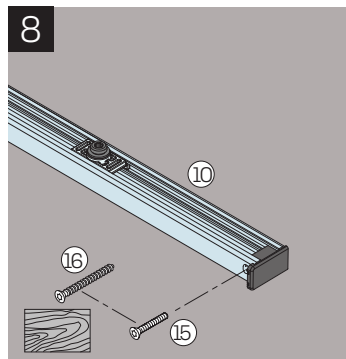
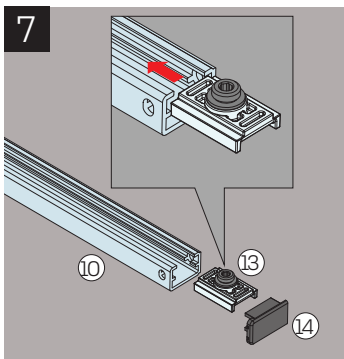
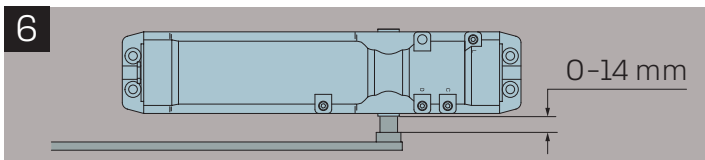
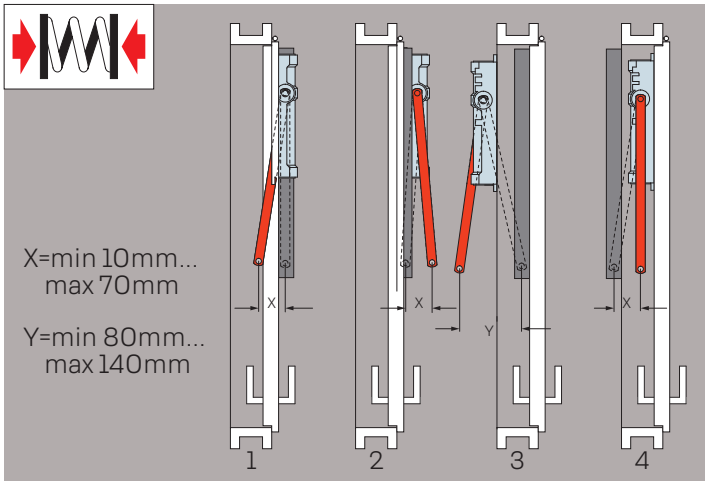
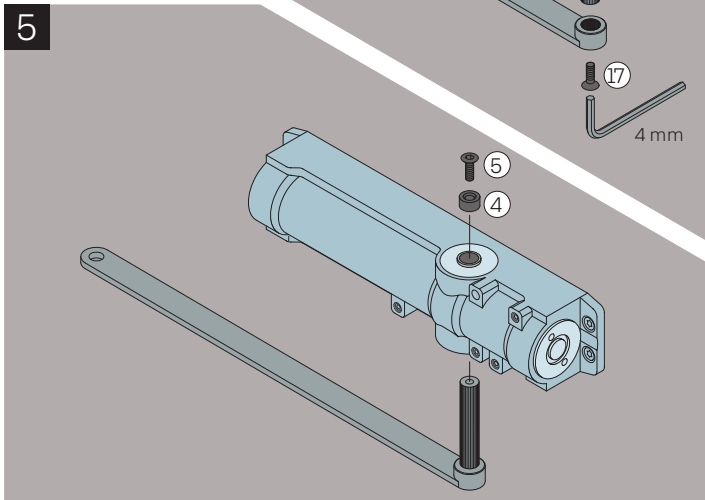
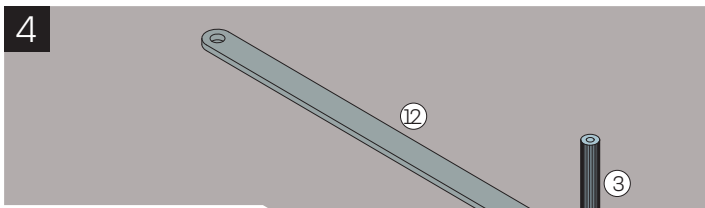
+ DC195

FP5500 + ARG194



OPTION





DC250 + DC195  
FP5500 + ARG194

Intended use:  
On fire and smoke  
compartmentation doors

AVCP 1

CE	Abloy Oy, PO Box 108 80101 Joensuu, Finland www.abloy.com/dop	15
	DC250	EN1154:1996/Al:2002/AC:2006 0432-CPR-00008-03
Dangerous substances: None		